

Omnecraft™

COATED REMANUFACTURED CALIPERS

A Trusted Relationship Just Got Better

Omnecraft is the newest member of the Ford family of parts offering affordable, reliable parts designed for non-Ford repairs. With over a century of parts heritage to build upon, Omnicraft is a quality choice for your business.

The Omnicraft Advantage

- Available for most non-Ford/Lincoln vehicles - 90% coverage
- Delivers quality fit and competitive pricing
- Offers competitive warranty
- Convenient one-stop availability from Ford
- Ready to install out of the box - just add Omnicraft brake pads
- Features OE casting for most makes and includes new square-cut seals, O-rings, boots, bleeder screws, copper washers, banjo bolts and hardware, including brackets (when applicable)
- OE piston material (Steel & Phenolic)

Designed To Take The Heat

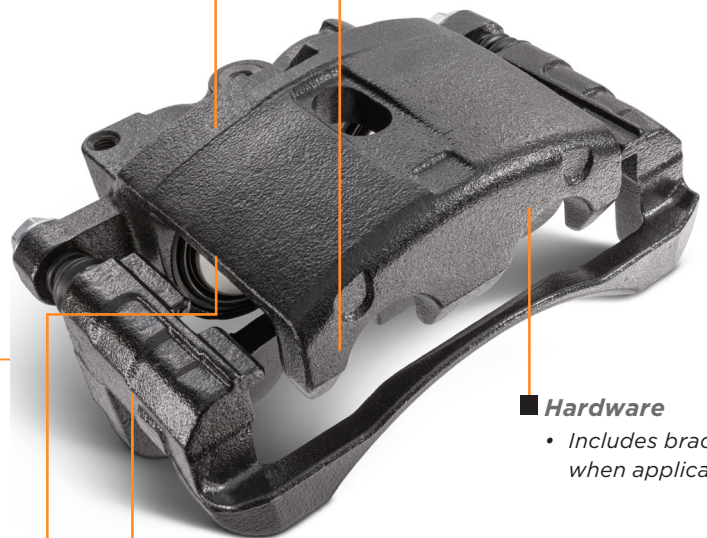
- Rigorous standards include 96 hour salt spray to ensure corrosion resistance
- 100% pressure tested to help reduce comebacks
- E-coated for long-life:
 - Helps reduce fade with heat or UV exposure
 - Protects against corrosion and rust
 - Superior to powder coating
 - Includes coating on bracket bores and parking brake components
 - Stylish high gloss appearance

■ E-Coated for Long Life

- Stylish, high-gloss black coating
- Helps reduce fade with heat or UV exposure

■ Electroplating Process

- E-coating provides uniform corrosion protection film
- Bracket bores E-coated to help resist sticking



■ Hardware

- Includes brackets when applicable

■ Tested To Last

- Endures 96 hour salt spray to help ensure corrosion resistance
- 100% pressure tested

■ OE Piston Material

- Steel & Phenolic

OMNICRAFT™
LABOR WARRANTY

UP TO \$150
LABOR REIMBURSEMENT*

LIMITED LIFETIME
UNLIMITED MILEAGE**

*Limited labor costs. **See seller for limited warranty details. Defect only. Original purchaser and receipt required. Excludes towing. Parts included. Labor limited to 2 yrs.



Our newest name in parts.

Omnecraft™ is a trademark of Ford Motor Company